



## TECHNICAL DATA SHEET

### FAST FOOD EQUIPMENT

#### PANINI GRILL

- Grill plate ribbed at the top and bottom
- 50 °C - 300 °C temperature range
- Heat resistant handle
- Adjustable thermostat

**Model:** AIM PG02

**Dimension (mm):** 510x500x300

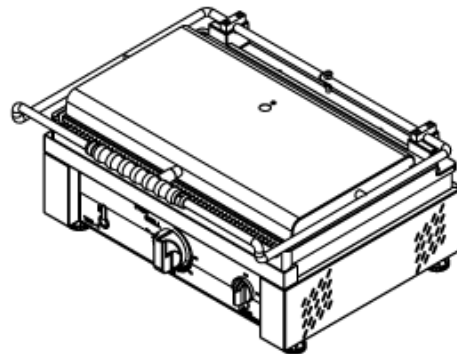
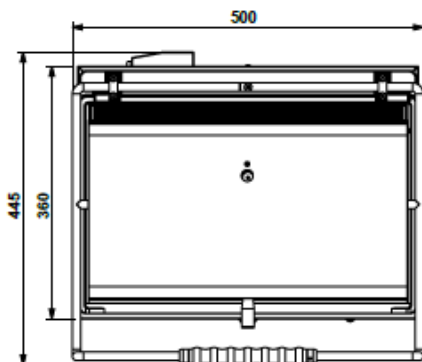
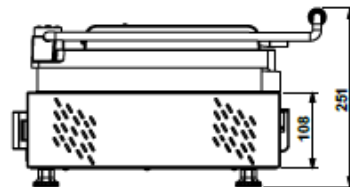
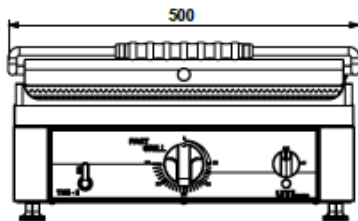
**Weight(kg):** 33

**Pack. Dimension:** 610x600x400

**Pack. Weight (kg):** 35

**Power (kw):** 3

**Power Supply:** 220-240 V



FAST FOOD EQUIPMENT AIM PG02

