



TECHNICAL DATA SHEET

FAST FOOD EQUIPMENT

PANINI GRILL

- Grill plate ribbed at the top and bottom
- 50 °C - 300 °C temperature range
- Heat resistant handle
- Adjustable thermostat

Model: AIM PG01

Dimension (mm): 410x500x300

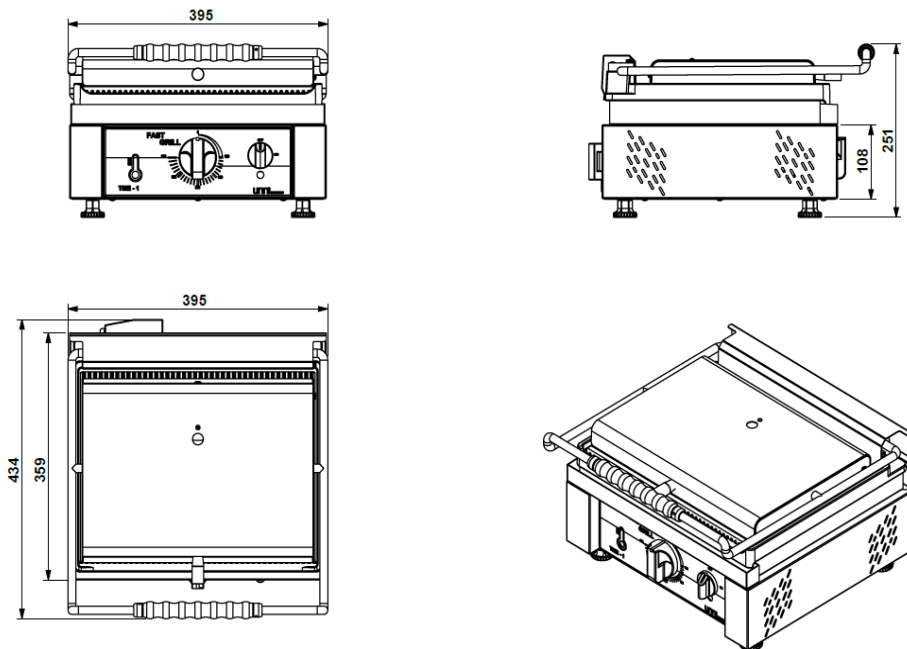
Weight(kg): 29

Pack. Dimension: 510x600x400

Pack. Weight (kg): 31

Power (kw): 2,5

Power Supply: 220-240 V



FAST FOOD EQUIPMENT AIM PG01

