



TECHNICAL DATA SHEET

FAST FOOD EQUIPMENT

GAS SALAMANDER

- Ceramic burner
- Standard version on natural gas
- Height-adjustable collection tray for grease and water
- High-quality construction
- Made from stainless steel

Model: AIM GSL4

Dimension (mm): 650x430x600

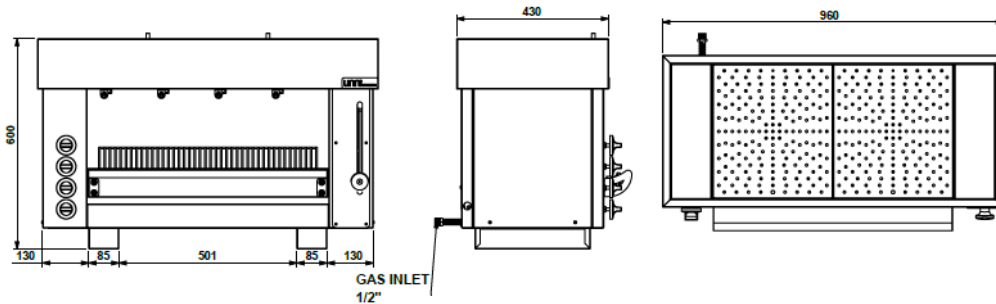
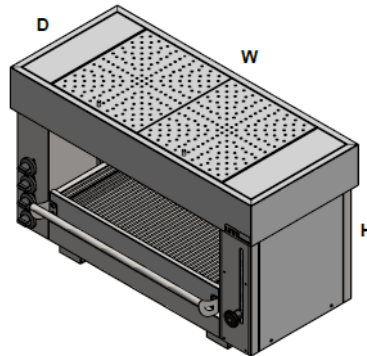
Weight(kg): 55

Pack. Dimension: 700x480x750

Pack. Weight (kg): 57

Power (kw): 10,8

Burner: 4



FAST FOOD EQUIPMENT AIM GSL4

