



TECHNICAL DATA SHEET

WASHING ACCESSORIES

PRE-RINSE SET – COUNTER MOUNTED



AIM-G01-2

Washer Unit - Sink Siphon System Without Side Overflow for Washing Glass and Containers

- Designed to make pre-washing of your glasses, goblets, baby bottles, coffee pots, milk pots, etc. practical
- Since it is in the sink, there is no need for extra cleaning after washing
- Washing attachments are easily removable and replaceable
- Remove all the apparatus and continue to use it like a normal sink.
- The outer part of the product is plastic and the armature mechanism inside is brass alloy and chrome plated
- Installation is very simple. no drilling, cutting, breaking etc. you will not need anything
- Simply dismantle your old drain siphon in your sink, attach the apparatus and make the water connection easily.
- The box contains a steel braided flex hose for water connection and a water outlet duplicator made of brass material.
- Dimension(mm): Ø100



DISHWASHER EQUIPMENT AIM-G01-2



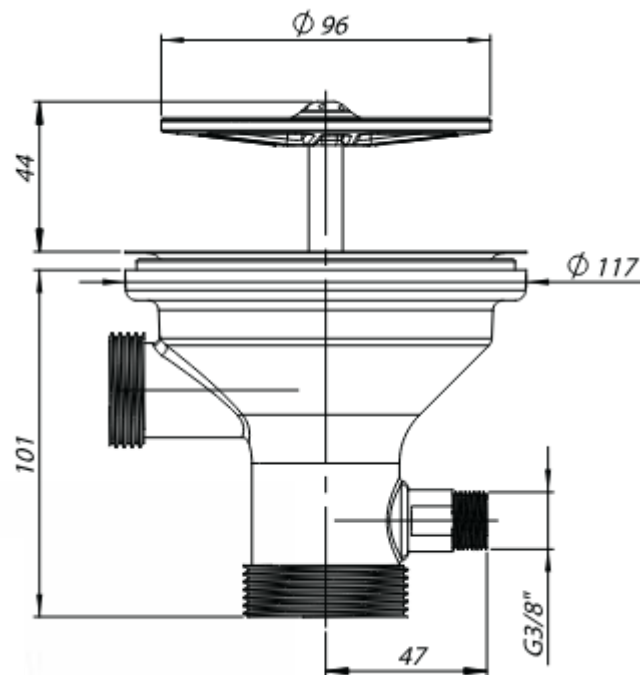


TECHNICAL DATA SHEET

WATER CONNECTION GROUP



PRODUCT DRAWING



DISHWASHER EQUIPMENT AIM-G01-2



AIM INDUSTRIAL KITCHEN EQUIPMENT
DAP VALLEY S BUILDING NO:10 KAGITHANE / ISTANBUL

