



TECHNICAL DATA SHEET

WASHING ACCESSORIES

PRE-RINSE SET – COUNTER MOUNTED



AIM-CTPR01

Double Water Inlet Drain Set with Counter Outlet

- Flywheel: 90°
- Heat and pressure resistant
- Stainless steel hose.
- Ergonomically designed washing head
- Heat and pressure resistant chrome plated
- Resistive outer surface, plastic handles
- Hot and cold water connection with single lever twist plug.



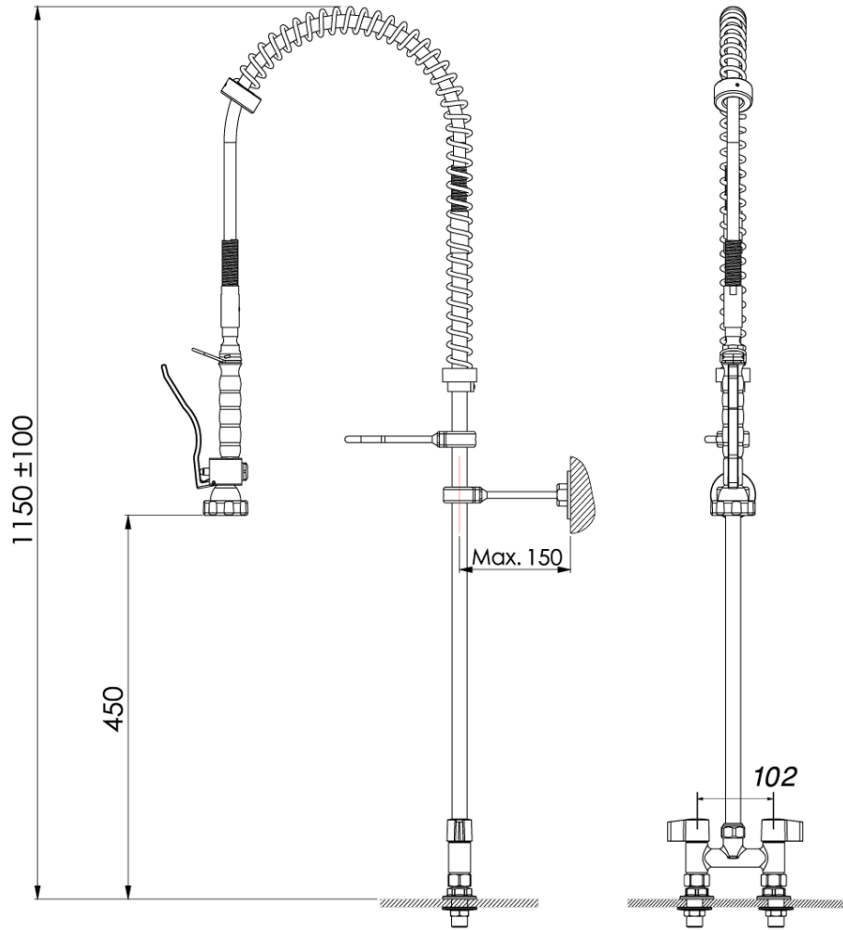
DISHWASHER EQUIPMENT AIM CTPR01





TECHNICAL DATA SHEET

PRODUCT DRAWING



DISHWASHER EQUIPMENT AIM CTPR01



AIM INDUSTRIAL KITCHEN EQUIPMENT
DAP VALLEY S BUILDING NO:10 KAGITHANE / ISTANBUL

