



## TECHNICAL DATA SHEET

### SPECIAL COLDLINE



#### AIM BTR4 COOLING BANQUET TROLLEY

- Designed to operate in 43°C ambient %65 humidity
- New design for equal temperature distribution
- Zero ODP Injected 42 kg/m<sup>3</sup> Polyurethane Insulation
- Digital controller with easy read screen
- Ergonomic door and handle designed for ease of opening and cleaning
- Icecool refrigeration system designed to be most technologically advanced and energy efficient
- Hot gas defrost system
- Waste heat recovery condensate vaporiser system
- All refrigerators can be produced in marine version
- Marine version includes 'Icecool marine' system, legs and shelves
- 12 No's 2/1 Gn capacity



SPECIAL COLDLINE AIM BTR4





## TECHNICAL DATA SHEET



### GENERAL INFORMATION

Operating Temperature: -2/+8  
Climate class: 5  
Overall dimensions: 789x950x1785  
Capacity: 525L  
Capacity (GN 2/1-60): 12

### CABINET CONSTRUCTION

Exterior Material: AISI 430 Stainless Steel  
Back Material: Galvanized steel  
Interior Material: AISI 430 Stainless Steel  
Drain: ✓  
LED lighting Eclairage LED: X  
Insulation: Polyurethane with high density  
40kg/m<sup>3</sup>, CFCs free, zero ODP and low GWP  
Insulation thickness(mm): 50  
Blowing Agent: HFO

### REFRIGERATION

Thermostat: Touch screen- IP65  
Refrigeration system: Split system  
Defrost: Resistance  
Expansion Device: Capillary  
Fans: ✓  
Condensation: Forced air  
Evaporation: With fan  
Condensate pan: Hot gas condensation pan

### TECHNICAL FEATURES

Gas Refrigerant: R134A  
Power Supply: 230V / 1 / 50 Hz

### CRATING

Crated dimensions L x l x H (mm):839x1000x2035  
Net Weight (kg): 131  
Crated Weight (kg): 141



SPECIAL COLDLINE AIM BTR4





## TECHNICAL DATA SHEET

### NEW CONDENSER SYSTEM

Stayclear condenser



CLASSIC



AIMCLEAR

### SAVING ENERGY

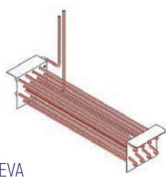
Eco friendly, HFC – free polyurethane insulation providing low energy consumption



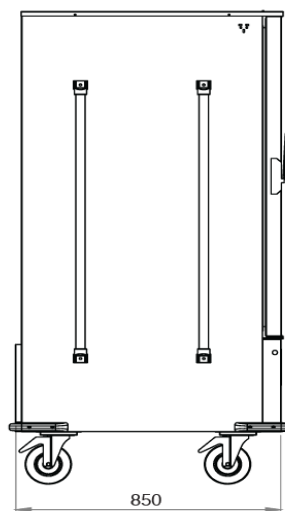
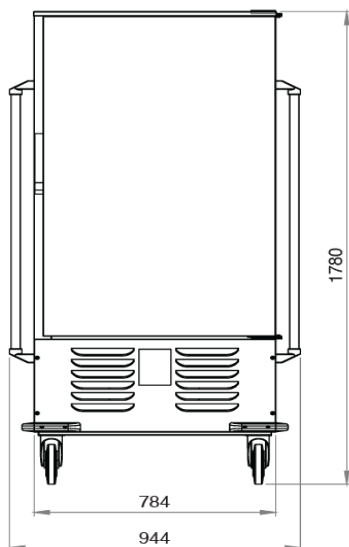
### EVAPARATOR DOES NOT SNOW THROUGH HOT GAS DEFROST



CLASSIC



AIMEVA



SPECIAL COLDLINE AIM BTR4

