



TECHNICAL DATA SHEET

600 SERIES HOT LINE



AIM BN36

ELECTRICAL BAINMARIE

- Long with stainless steel construction it is permanent, easy to clean and hygienic.
- Providing the user with the convenience of everything. It has an ergonomic design.
- Device depth is 600 mm.
- The device is installed above.
- Can be adjusted on the device feet are available.
- Front panel sheet of the device is 1mm AISI 304, Top plate sheet 1 mm AISI 304, body side sheets 1 mm AISI 430, rear chimney. The sheet covering the construction is 1 mm AISI 430, chimney Ventilation plate 1.5 mm AISI it was produced in 304 production.
- Next to the heat adjustment button on the device. There are two different colored signal lamps. Green signal lamp indicates that the device is receiving electricity shows. Yellow signal lamp it shows that the resistance is active. It burns until it reaches the desired temperature. It will turn off when reached.
- The device operates with a thermostat between 30°C-90°C.
- Locked drain valve in the device thanks to its mechanism, the front of the device safe draining from the drain tap is provided. Opens beyond user control. Unloading is not possible.
- The height of the device is 150 mm 1 GN 1/4 and 1 GN 1/2 Gastronomer there is a bathtub is controlled.

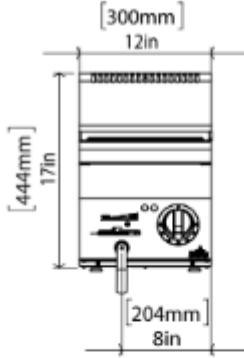


600 SERIES HOT LINE AIM AIM BN36

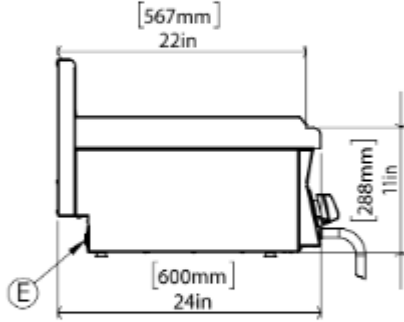


TECHNICAL DATA SHEET

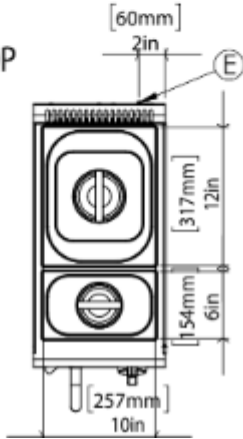
ÖN / FRONT



SAĞ / RIGHT



ÜST / TOP



GENERAL INFORMATION

Model: AIM BN36

Dimension: 300x600x300

Net Weight (kg):15

GN: GN 1/4 - GN 1/2 h:150

Thermostat Range: 30 °C min; 90 °C max

ELECTRICAL INFORMATION

Voltage: 220-240V

Electric power: 1,2 kW

Amper:5,5A

Cable Section: 3x1,5 mm² TTR (plug)

Frequency: 50-60hz

Protection Class: IPX4

Min/max internal humidity:70%/85%

Control type: Manual

PACKAGE INFORMATION

Dimension: 400x690x575

Package Weight (kg): 20

Volume (m³): 0,16 m³

Important Note: The current value given for the device is based on the amount drawn by the device. Is the current value. Cable distance to be connected to the device. The fuse amperage value that should be used according to the length must be determined by a competent electrician.

