

600 SERIES HOT LINE



AIM ALE66

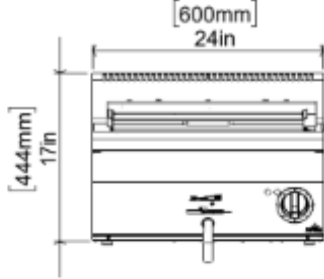
ELECTRICAL AMERICAN GRILL

- With its stainless steel construction, it is long-lasting and easy to use. It is cleanable and hygienic.
- Ergonomic that provides convenience to the user in every aspect. It has a design.
- Device depth is 600 mm.
- The device is a countertop.
- Height adjustable feet on the device available.
- Front panel sheet of the device is 1mm AISI 304, Top plate sheet is 1mm AISI 304, body side panels 1 mm AISI 430, rear chimney construction covering sheet 1 mm AISI 430, chimney ventilation sheet made of 1.5 mm AISI 304 material produced.
- You can control the heat with the 7-stage thermostat on the device. It provides the opportunity to adjust as desired.
- There are two different buttons next to the heat adjustment button on the device. There is a colored signal lamp. Green signal lamp. It indicates that the device is receiving electricity. Yellow signal the lamp indicates that the resistance is active. It burns until it reaches the desired temperature. It will turn off when reached.
- The water in the reservoir at the bottom of the bathtub absorbs the oil. Partially prevents smoke and odor formation. It is possible.
- Possibility to cook meat on bare resistance in the device has. Resistors are produced from stainless steel.
- Thanks to the locked discharge valve mechanism in the device. Safe unloading is ensured. Out of user control. It cannot be opened and unloaded.
- There is a drain valve.
- The resistances in the device move upwards from the bathtub. Has the ability to. In this way, the product can be easily can be cleaned. Also, keep the resistances in the air. There is a fixing mechanism that provides. Resistors are in the upper position, safety switch. Thanks to this, electrical energy is cut off.

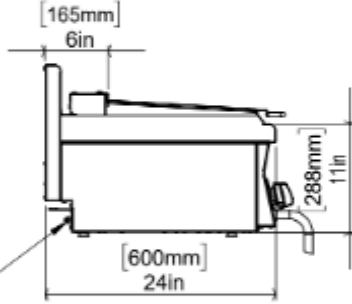


TECHNICAL DATA SHEET

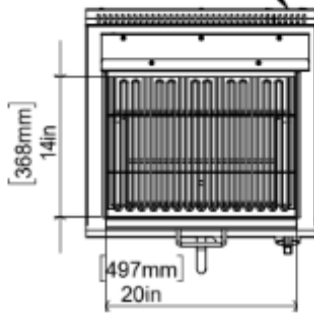
ÖN / FRONT



SAĞ / RIGHT



ÜST / TOP



GENERAL INFORMATION

Model: AIM ALE66
 Dimension: 600x600x300
 Net Weight (kg): 53
 Cooking Area: 345x455

ELECTRICAL INFORMATION

Voltage: 380-415V
 Electric power: 4,5kW
 Amper:20,5A
 Cable Section: 5x2,5 mm² TTR
 Frequency: 50-60hz
 Protection Class: IPX4
 Min/max internal humidity:70%/85%
 Control type: Manual

PACKAGE INFORMATION

Dimension: 700x690x575
 Package Weight (kg): 62
 Volume (m³): 0,28 m³

Important Note: Current value given for the device is the current drawn by the device. Is the current value. The cable distance to be connected to the device fuse ampere value to be used according to the length should be determined by a qualified electrician.

