



TECHNICAL DATA SHEET

600 SERIES HOT LINE GAS COOKER



AIMAGO66

- With its stainless steel construction, it is long-lasting and easy to use. It is cleanable and hygienic.
- Ergonomic that provides convenience to the user in every aspect. It has a design.
- Device depth is 600 mm.
- The device is a countertop.
- Height adjustable feet on the device available.
- Front panel sheet of the device is 1mm AISI 304, Top plate sheet is 1mm AISI 304, body side panels 1 mm AISI 430, rear chimney construction covering sheet 1 mm AISI 430, chimney ventilation sheet made of 1.5 mm AISI 304 material produced.
- Top table formed press printing produced by applying.
- Ergonomic design cast iron on stoves is available. Piloted and thermocouple control system is available. Thermocouple so that when the flame is extinguished, the device gas is cut off automatically.
- High calorie burners in the device are used.
- Cooker speed as high flame or low flame adjustable, there is 4 gas tap.
- The pilot is lit externally with an external cigarette lighter.
- Your device Natural Gas (NG) and Liquid Propane Gas (LPG) can be used. Reserve for this conversion to other gas type in the bag injectors are available. This process should be done by a competent person.



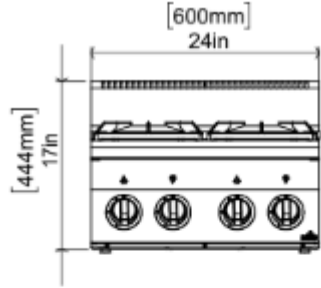
600 SERIES HOT LINE AIM AGO66





TECHNICAL DATA SHEET

ÖN / FRONT



GENERAL INFORMATION

Model: AIM AGO66

Dimension: 600x600x300

Gaz Enter: R1/2"

Net Weight (kg):34

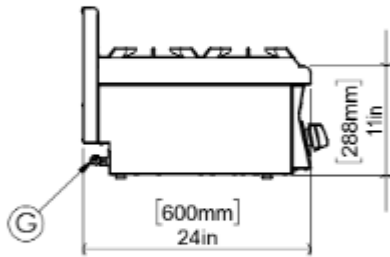
Burner Diameter quantity: 4xØ80

GAS INFORMATION

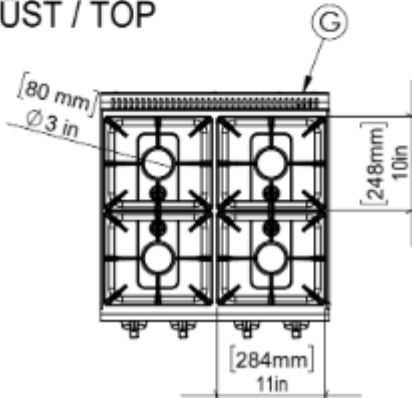
NG	G20	G20	G25
	20 mbar	25 mbar	25 mbar
QUANTITY OF HEAT (KW) (HI)	23	25,2	23
GAS CONSUMPTION	2,388 m3/h	2,580 m3/h	2,528 m3/h

LPG	G30	G30	G30	G31
	30 mbar	37 mbar	50 mbar	37 mbar
QUANTITY OF HEAT (KW) (HI)	25,2	26,8	29,2	25
GAS CONSUMPTION	1970 g/h	2110 g/h	2300 g/h	1940 g/h

SAG / RIGHT



ÜST / TOP



PACKAGE INFORMATION

Dimension: 700x690x575

Package Weight (kg): 42

Volume (m³): 0,28 m³



600 SERIES HOT LINE AIM AGO66

