



TECHNICAL DATA SHEET

600 SERIES HOT LINE



AIM AEO66

ELECTRICAL COOKERS

- Long with stainless steel construction it is permanent, easy to clean and hygienic.
- Providing the user with the convenience of everything. It has an ergonomic design.
- Device depth is 600 mm.
- The device is installed above.
- Can be adjusted on the device feet are available.
- Front panel sheet of the device is 1mm AISI 304, Top plate sheet 1 mm AISI 304, body side sheets 1 mm AISI 430, rear chimney. The sheet covering the construction is 1 mm AISI 430, chimney Ventilation plate 1.5 mm AISI it was produced in 304 production.
- 6-stage on the device you can control the heat as desired with the thermostat provides adjustment.
- Heating Hot Plate resistances are Ø180 in diameter, 4 units, each with a capacity of 2000 Watts there are.
- Top table formed press printing it was produced using.
- The temperature adjustment button on the device. There is a yellow signal lamp next to it. Yellow signal lamp indicates that the resistor is active shows that it is. desired It burns until it reaches heat. It will turn off when reached.

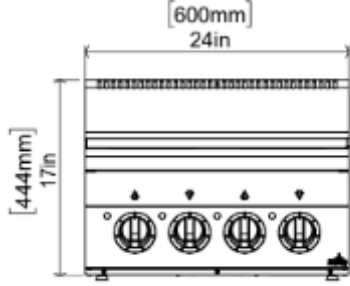


600 SERIES HOT LINE AIM AEO66



TECHNICAL DATA SHEET

ÖN / FRONT



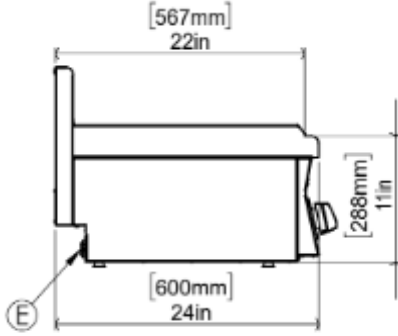
GENERAL INFORMATION

Model: AIM AEO66
 Dimension: 600x600x300
 Net Weight (kg):28
 Hob Plate Diameter: \varnothing 180
 Hot Plate Pieces: 4
 Heat Level: 1;6

ELECTRICAL INFORMATION

Voltage: 385-415V
 Electric power: 8 kW
 Amper:36,4 A
 Cable Section: 5x6 mm² TTR
 Frequency: 50-60hz
 Protection Class: IPX4
 Min/max internal humidity:70%/85%
 Control type: Manu666al

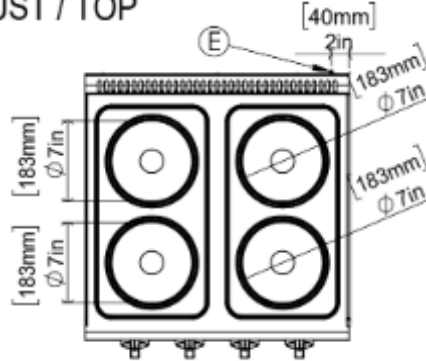
SAG / RIGHT



PACKAGE INFORMATION

Dimension: 700x690x575
 Package Weight (kg): 36
 Volume (m³): 0,28 m³

ÜST / TOP



Important Note: The current value given for the device is based on the amount drawn by the device. Is the current value. Cable distance to be connected to the device. The fuse amperage value that should be used according to the length must be determined by a competent electrician.