

### 600 SERIES HOT LINE



#### AIM AEI106-DK

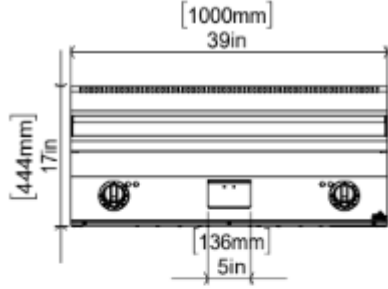
#### ELECTRICAL GRILL -SMOOTH SURFACE - CHROME

- With its stainless steel construction, it is long-lasting and easy to use. It is cleanable and hygienic.
- Ergonomic that provides convenience to the user in every aspect. It has a design.
- Device depth is 600 mm.
- The device is a countertop.
- Height adjustable feet on the device available.
- The cooking plate of the device is heat resistant, ST52 steel. These are products produced in 12 mm. In addition, the device; Front panel sheet 1mm AISI 304, Top table sheet metal 1 mm AISI 304, body side sheets 1 mm AISI 430, rear chimney construction covering sheet is 1 mm AISI 430, chimney ventilation sheet 1.5 mm AISI 304 supporting produced.
- When the oil reservoir is full and not emptied from its reservoir thanks to the overflow holes in the front. It overflows and oil inside the device is prevented.
- Easily removed from the drawer and cleaned it is in structure.
- Heaters are controlled by thermostat between 50°C-300°C. is done.
- Resistors and thermostat used in the device. Homogeneous temperature on the cooking plate thanks to its control distribution is carried out.
- There are two different buttons next to the heat adjustment button on the device. There is a colored signal lamp. Green signal lamp it indicates that the device is receiving electricity. Yellow signa the lamp indicates that the resistance is active. It burns until it reaches the desired temperature. It will turn off when reached.
- In this product family; Corrugated (Ribbed) and Chrome (CR). There are alternative coated products.

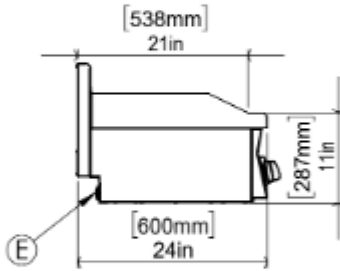


## TECHNICAL DATA SHEET

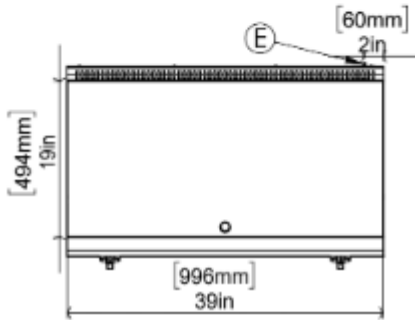
### ÖN / FRONT



### SAG / RIGHT



### ÜST / TOP



### GENERAL INFORMATION

Model: AIM AEI106-DK

Dimension: 1000x600x300

Net Weight (kg): 93

Cooking Area(mm): 495x996

Thermostat Working Range: 50 °C min; 300 °C max

### ELECTRICAL INFORMATION

Voltage: 380-415V

Electric power: 10,8 kW

Amper:49,1A

Cable Section: 5x2,5 mm<sup>2</sup> TTR

Frequency: 50-60hz

Protection Class: IPX4

Min/max internal humidity:70%/85%

Control type: Manual

### PACKAGE INFORMATION

Dimension: 1100x690x625

Package Weight (kg): 108

Volume (m<sup>3</sup>): 0,47 m<sup>3</sup>

Important Note: The current value given for the device is based on the amount drawn by the device. Is the current value. Cable distance to be connected to the device. The fuse amperage value that should be used according to the length must be determined by a competent electrician.

