



TECHNICAL DATA SHEET

COUNTER TYPE SERIES



AIM 207R4-G

COUNTER TYPE REFRIGERATOR -W/3 GLASS DOORS

- Designed to operate in 43°C ambient %65 humidity
- New design for equal temperature distribution
- Zero ODP Injected 42 kg/m³ Polyurethane Insulation
- Digital controller with easy read screen
- Ergonomic door and handle designed for ease of opening and cleaning
- Icecool refrigeration system designed to be most technologically advanced and energy efficient
- Hot gas defrost system
- Waste heat recovery condensate vaporiser system
- All refrigerators can be produced in marine version



COUNTER TYPE SERIES AIM 207R4-G



AIM INDUSTRIAL KITCHEN EQUIPMENT
DAP VALLEY S BUILDING NO:10 KAGITHANE / ISTANBUL





TECHNICAL DATA SHEET

GENERAL INFORMATION

Operating Temperature: -2/+8 °C
Climate class: 5
Capacity: 515L
Overall dimensions: 2000x700x850

CABINET CONSTRUCTION

Exterior Material: AISI 430 Stainless Steel
Back Material: Galvanized steel
Interior Material: AISI 430 Stainless Steel
Drain: ✓
LED lighting Eclairage LED: X
Insulation: Polyurethane with high density
40kg/m³, CFCs free, zero ODP and low GWP
Insulation thickness(mm): 50
Blowing Agent: HFO
Doors: 3
Door Construction: Pressed hinged door. Easy
to replace door gasket that does not require
cleaning
Door Lock: Optional
Door Frame Heaters: X

FEATURES

Shelving: 1x3
Shelves dimensions LxD: 470x405
Legs, casters: Stainless steel legs,
heightadjustable (130-180mm)

REFRIGERATION

Thermostat: Touch screen- IP65
Refrigeration system: Split system
Defrost: Resistance
Expansion Device: Capillary
Fans: ✓
Condensation: Forced air
Evaporation: With fan
Condensate pan: Hot gas condensation pan

TECHNICAL FEATURES

Gas Refrigerant: R134A
Charge de gas (gr): 290
Power Supply: 230V / 1 / 50 Hz
Refrigeration Capacity (W): 590
Power (W): 380
Amps (A): 1,8
Energy Consumption (kWh/24h): 5,17

CRATING

Crated dimensions L x l x H (mm):2050x750x1100
Net Weight (kg): 155
Crated Weight (kg): 165



COUNTER TYPE SERIES AIM 207R4-G





TECHNICAL DATA SHEET

NEW CONDENSER SYSTEM

Stayclear condenser



CLASSIC



AIMCLEAR

SAVING ENERGY

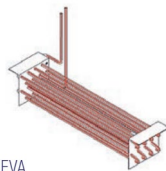
Eco friendly, HFC – free polyurethane insulation providing low energy consumption



EVAPARATOR DOES NOT SNOW THROUGH HOT GAS DEFROST



CLASSIC



AIMEVA

PERFECT COOLING SYSTEM

More efficient air circulation with one piece evaporator



CLASSIC



AIMICE

EXTRA INTERNAL VOLUME

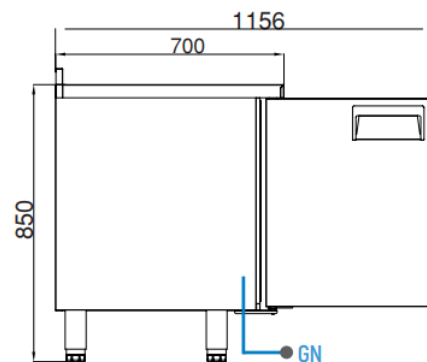
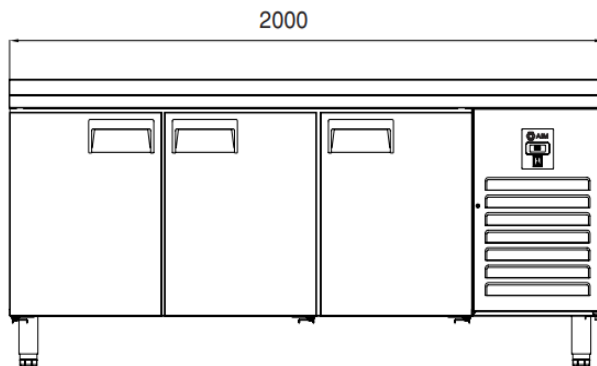
Easy to use and extra internal volume by the help of the horizontally positioned evaporator



CLASSIC



AIMEX



COUNTER TYPE SERIES AIM 207R4-G

