



TECHNICAL DATA SHEET

WASHING ACCESSORIES

PRE-RINSE SET – COUNTER MOUNTED



AIM-2023-D

Washer Unit - Siphon System for Industrial Type Cup & Utensil Washing with Sink

- AIM-4023-D; a practical washing tool that you can easily integrate into areas such as industrial cafe, bar, restaurant counters and specially designed kitchen countertops.
- This product is ideal for cleaning cups, milk containers, blenders and similar equipment.
- The metal parts of the product are made of AISI 304 material known for its durability and hygienic properties.
- The plastic parts are manufactured using engineering plastic, thus ensuring a long-lasting and reliable use.
- The internal drain structure of the siphon system has a single hole and the inner surface is designed as inclined to this hole.
- This feature ensures that almost all of the residue that has accumulated inside after the washing process is automatically evacuated from the drain. This makes the cleaning process more practical and efficient.
- The block structure of the product offers easy installation and requires minimum space under the countertop. With this feature, you can use it without affecting the layout of your space and without taking up much space.
- Industrial type siphon system for washing cups and containers with sink is an ideal solution to meet the washing needs of your business with its robust structure, ease of use and hygienic features.
- The use of quality materials and practical design increases productivity and simplifies the cleaning process.
- Dimension(mm): 200x230



DISHWASHER EQUIPMENT AIM-2023-D



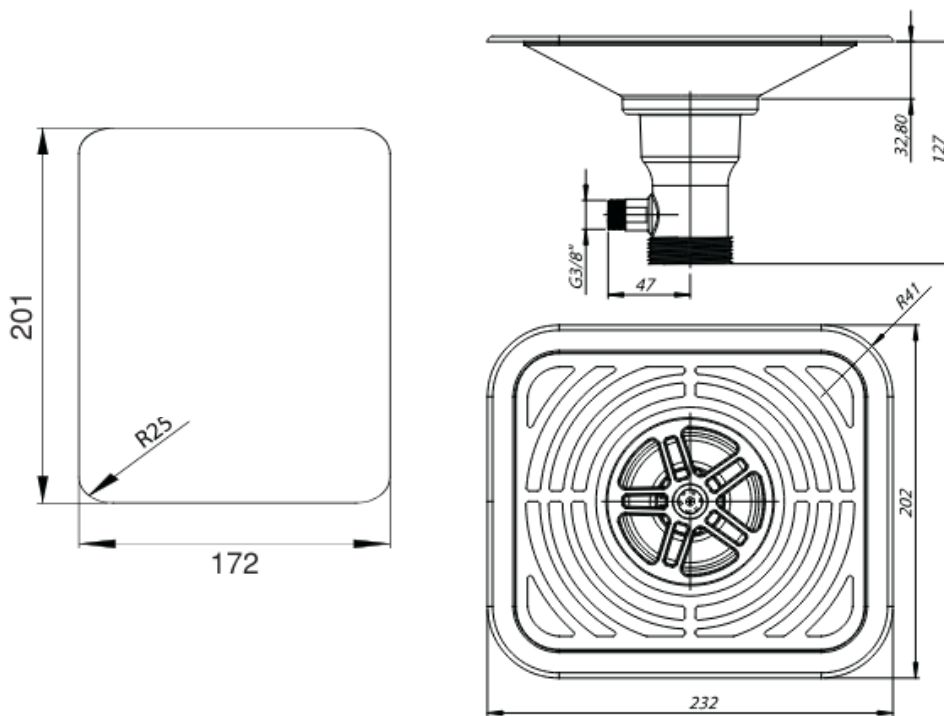


TECHNICAL DATA SHEET

WATER CONNECTION GROUP



PRODUCT DRAWING



DISHWASHER EQUIPMENT AIM-2023-D

