



TECHNICAL DATA SHEET

VERTICAL TYPE SERIES



AIM 14SF4

VERTICAL TYPE FREEZER – W/2 DOOR

- Designed to operate in 43°C ambient %65 humidity
- New design for equal temperature distribution
- Zero ODP Injected 42 kg/m³ Polyurethane Insulation
- Digital controller with easy read screen
- Ergonomic door and handle designed for ease of opening and cleaning
- Icecool refrigeration system designed to be most technologically advanced and energy efficient
- Hot gas defrost system
- Waste heat recovery condensate vaporiser system
- All refrigerators can be produced in marine version
- Marine version includes 'Icecool marine' system, legs and shelves



VERTICAL TYPE SERIES AIM 14SF4





TECHNICAL DATA SHEET

Operating Temperature: -10/-22 °C
Climate class: 5
Capacity: 1150L
Overall dimensions: 1400x770x2100

CABINET CONSTRUCTION

Exterior Material: AISI 430 Stainless Steel
Back Material: Galvanized steel
Interior Material: AISI 430 Stainless Steel
Drain: ✓
LED lighting Eclairage LED: X
Insulation: Polyurethane with high density
40kg/m³, CFCs free, zero ODP and low GWP
Insulation thickness(mm): 60
Blowing Agent: HFO
Doors: 2
Door Construction: Pressed hinged door. Easy
to replace door gasket that does not require
cleaning
Door Lock: Optional
Door Frame Heaters: X

FEATURES

Shelving: 3x2
Shelves dimensions LxD: GN 2/1 650x530
Legs, casters: Stainless steel legs,
heightadjustable (130-180mm)

REFRIGERATION

Thermostat: Touch screen- IP65
Refrigeration system: Split system
Defrost: Resistance
Expansion Device: Capillary
Fans: ✓
Condensation: Forced air
Evaporation: With fan
Condensate pan: Resistance condensation pan

TECHNICAL FEATURES

Gas Refrigerant: R404A
Power Supply: 230V / 1 / 50 Hz

CRATING

Crated dimensions L x l x H (mm):1450x820x2350
Net Weight (kg): 175
Crated Weight (kg): 185



VERTICAL TYPE SERIES AIM 14SF4





TECHNICAL DATA SHEET

NEW CONDENSER SYSTEM

Stayclear condenser



CLASSIC



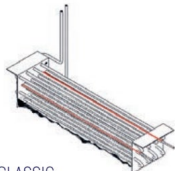
AIMCLEAR

SAVING ENERGY

Eco friendly, HFC – free polyurethane insulation providing low energy consumption



EVAPARATOR DOES NOT SNOW THROUGH HOT GAS DEFROST



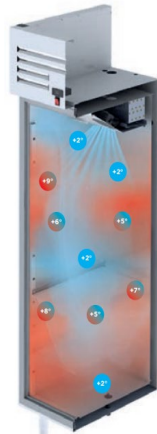
CLASSIC



AIMEVA

PERFECT COOLING SYSTEM

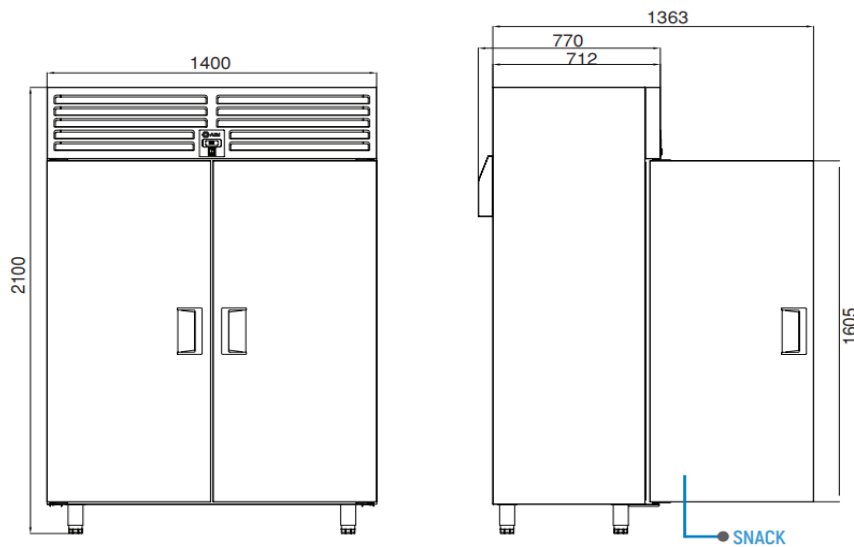
Homogeneous heat distribution on each shelf thanks to custom design rear sheet



CLASSIC



AIMICE



VERTICAL TYPE SERIES AIM 14SF4



AIM INDUSTRIAL KITCHEN EQUIPMENT
DAP VALLEY S BUILDING NO:10 KAGITHANE / ISTANBUL

