



TECHNICAL DATA SHEET

DISHWASHER EQUIPMENT

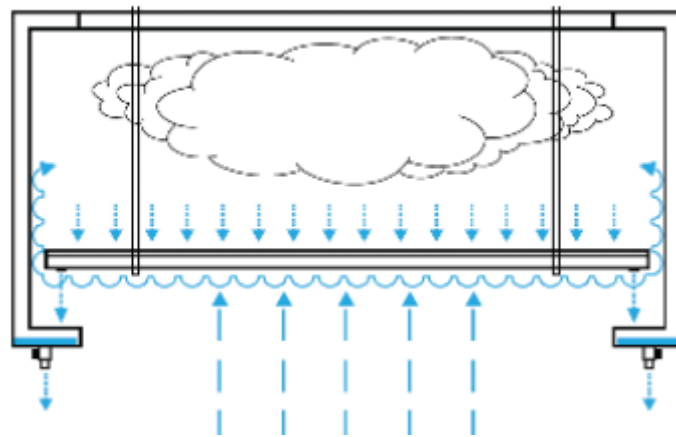
CONDENSATION HOOD



AIM-10015040-CON

Condensation Hood 1000x1000x400

- Brushed structure stainless steel AISI 430
- Filters have been replaced with a plate that absorbs the water vapor
- Internal part consists of a removable stainless steel plate
- With drain tap for water circulation
- Supplied with steel wire for fixing



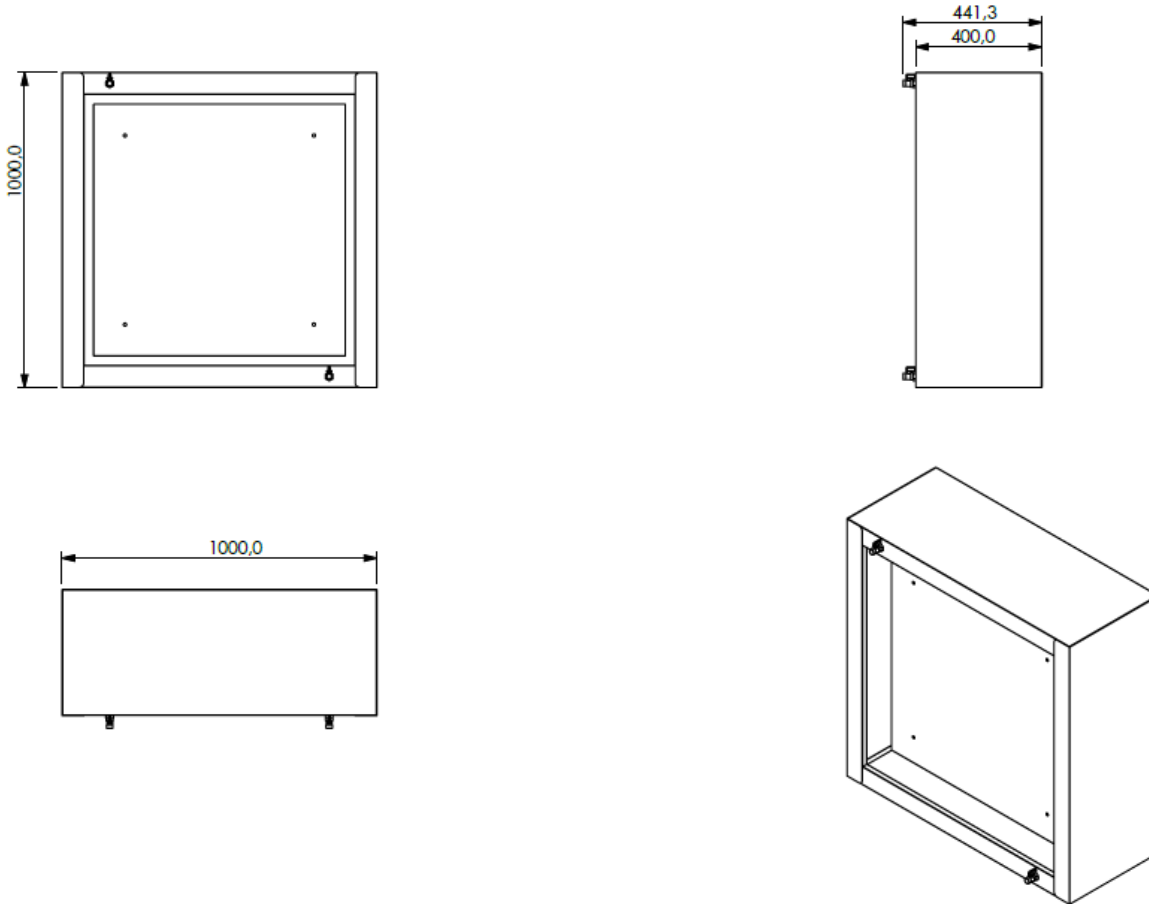
DISHWASHER EQUIPMENT AIM-10015040-CON





TECHNICAL DATA SHEET

PRODUCT DRAWING



DISHWASHER EQUIPMENT AIM-10015040-CON

